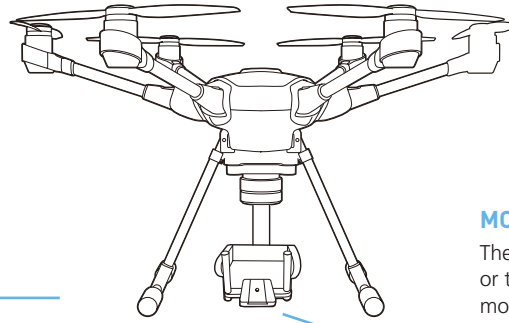
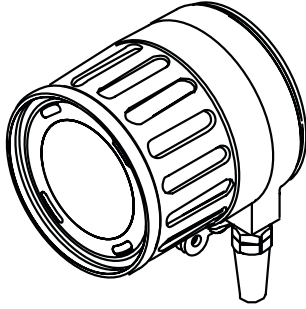


STELLA DRONE LIGHT 5000d / 10000d

OWNER'S MANUAL



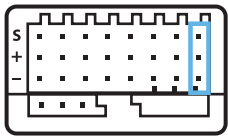
Light & Motion
711 Neeson Road,
Marina, CA 93933 USA
seva@lightandmotion.com
lightandmotion.com



MOUNTING

The light mounts via a 1/4-20 screw or the included GoPro adapter (GoPro mount base not included).

ELECTRICAL CONNECTIONS



White Wire = Signal
Black Wire = Negative

POWER

Power cable is supplied with barewire ends for customer to attach their desired connector type.

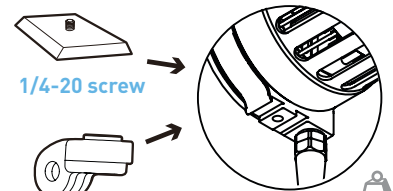
POWER REQUIREMENTS:

5000d 45W 12-25.2Vdc
10000d 100W 13-25.2Vdc
(4S, 5S, 6S Li-Ion)

CONTROL

The control cable should be connected to a spare channel on an RC receiver (RC transmitter and receiver not included). The black wire is ground (-) and the white wire is signal. We recommend mapping a rotating dial to control this channel.

MOUNTS



1/4-20 screw

GoPro Adapter

Weight 750g

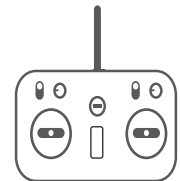
OPERATION



With the dial at its minimum position, the light will be off. Increase the dial position slightly and the light will turn on in its lowest setting. Continue rotating the dial to gradually control the output of the light up to its maximum.



Some customers also map a toggle switch in addition to the rotating dial to give separate on/off control.



STELLA DRONE LIGHT ACCESSORIES

LIGHT MODIFIERS



Fresnel 25°



50° Focus Optic



Speedring Gel Holder



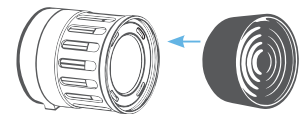
Glo Bulb

MOUNTS



Go Pro Adapter

ADDING MODIFIERS



CAUTION!



Stella is a professional light that can produce high amounts of heat - Adequate ventilation is required for proper use and do not place heat-sensitive objects in front of the light port when power is connected.

- Never look directly at the LEDs when turned on

WARRANTY

Your Light & Motion product is covered against defects in workmanship and materials under normal use and service for 2 years from the date of purchase. Rental program carries a 1 year warranty.



Go to support.lightandmotion.com for additional information.

WARRANTY LIMITS & EXCEPTIONS

- Cosmetic discoloration from wear and use is not covered
- Light & Motion is not liable for any loss damages or expenses including incidental or consequential damages directly or indirectly arising from the sale or use of this product
- Damage due to power over-voltage or reverse-polarity or other abuse is not covered.