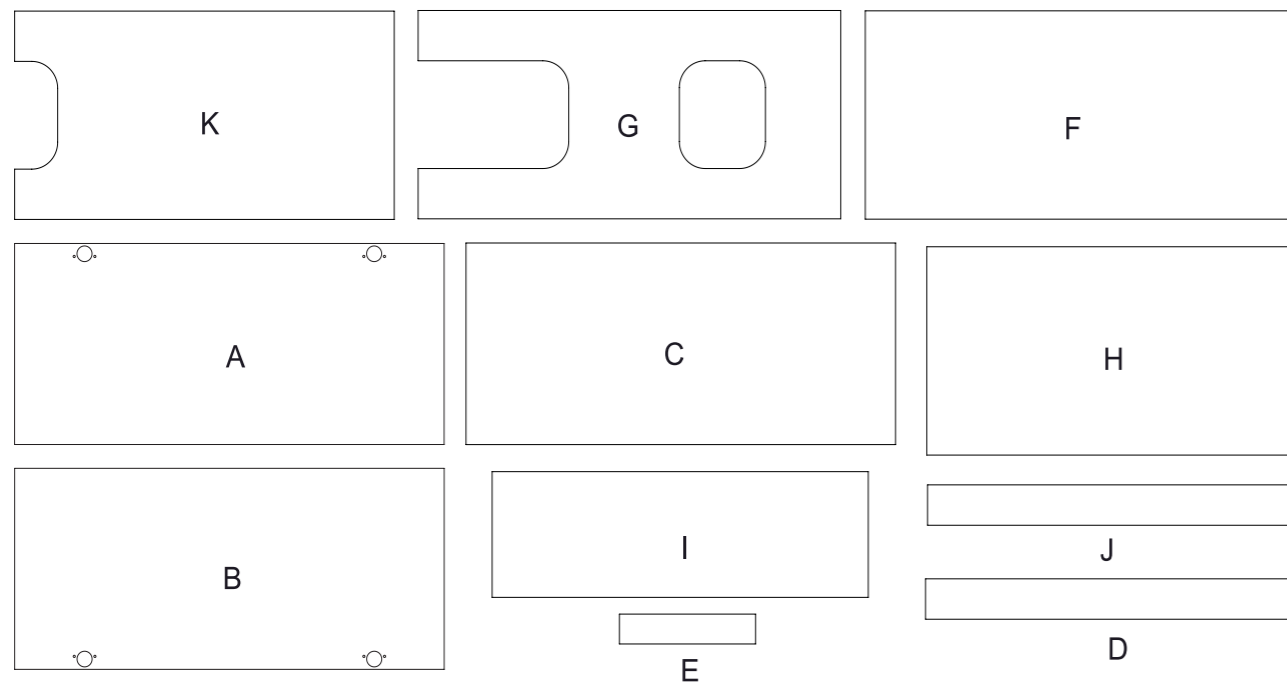


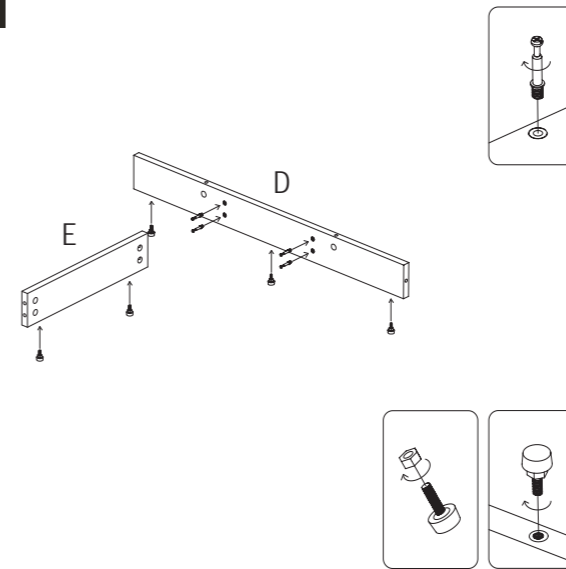
	Code	QTY
	C1201(White) C1202(Black)	16
	C1001	4
	C1401(White) C1402(Black)	58
	C1101	2
	C1301	6
	C1301	50
	C1301	50
	C1404(White) C1405(Black)	12
	C1406(White) C1407(Black)	12



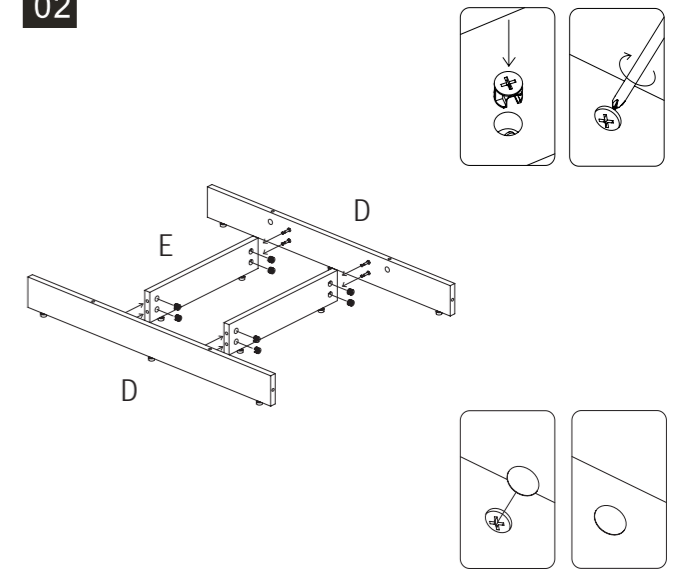
S/N	Name	QTY
A	Cabinet Door(L)	1
B	Cabinet Door(R)	1
C	Cabinet False Door	2
D	Cabinet Front Lower	2
E	Cabinet Base Support	2
F	Cabinet Side Right	1

S/N	Name	QTY
G	Cabinet Side Left	1
H	Cabinet Bottom	1
I	Cabinet Internal Wall	1
J	Cabinet Front Upper	2
K	Cabinet Top	1

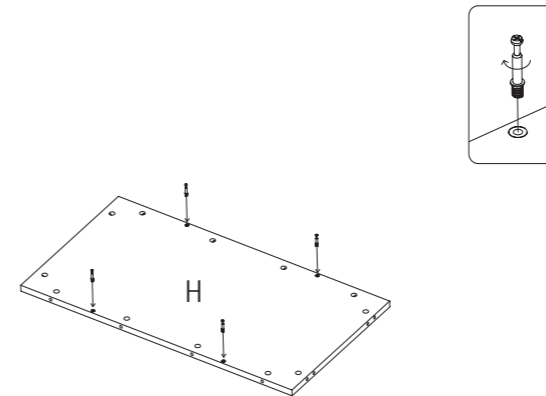
01



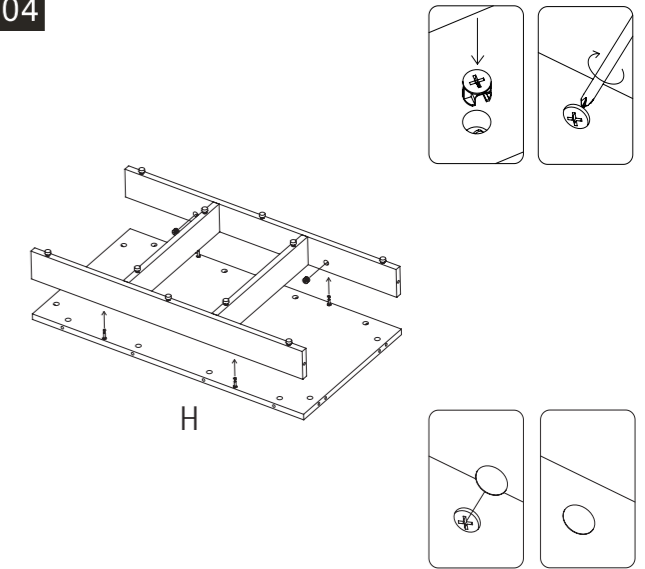
02



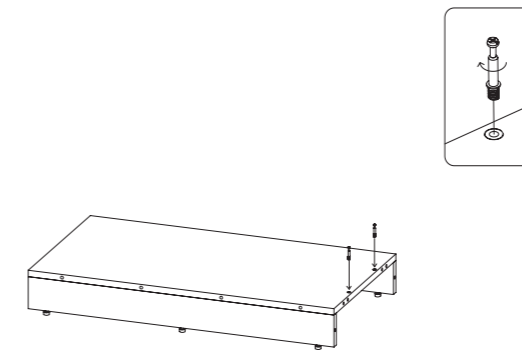
03



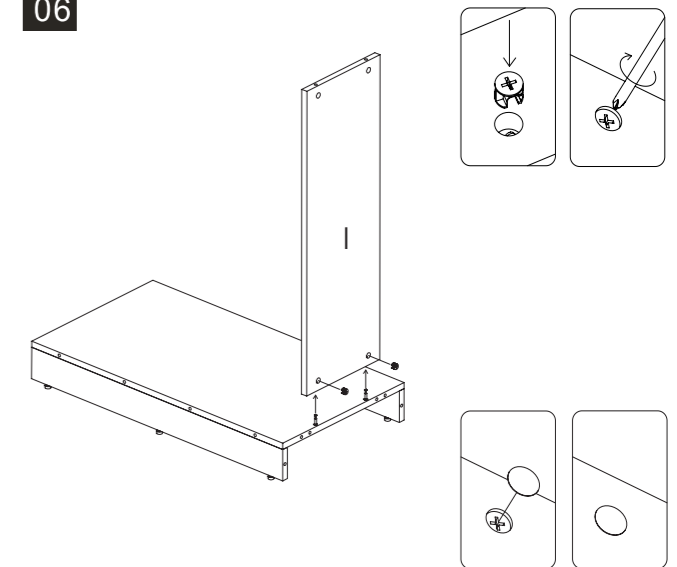
04



05



06



07

08

09

10

11

12

13

14

15

Door on the right side

16

Door on the left side