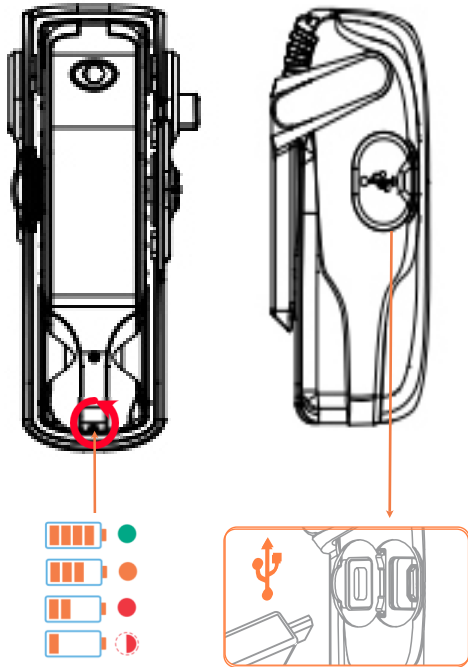


# Vis180 PRO

Vis180 PRO



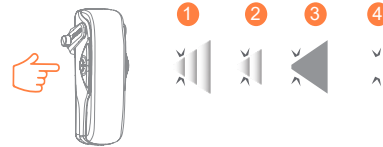
## FL1 STANDARD

|          |        | High/<br>SafePulse<br>>▼< | Low/<br>SafePulse<br>>▼< | HIGH/<br>Steady<br>▼ | PACELINE<br>* | ⚡  |
|----------|--------|---------------------------|--------------------------|----------------------|---------------|----|
| LUMENS   | VIS180 | 150                       | 125                      | 150                  | 5             |    |
| RUN-TIME | VIS180 | 6h                        | 12h                      | 6h                   | 32h           | 5h |

\*Specifications subject to change.

## Vis180 PRO

### POWERMODES (VIS 180 PRO)



Press Power button for 1sec to power on light. Press your button again to cycle through the modes of light

- 1 HIGH/SAFEPUSE
- 2 LOW/SAFEPUSE
- 3 HIGH/STEADY ON
- 4 PACELINE

### POWER OFF



Press power button for 1sec to turn on/off light

### LOW BATTERY WARNING & SHUTOFF



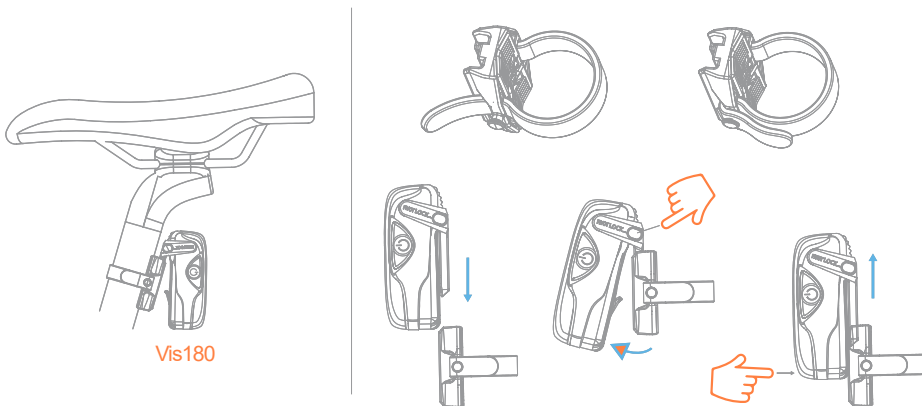
Light will start flashing when battery level reaches 10%

### LESS THAN 5% REMAINING



Low battery/Auto-shutoff Warning: 12 seconds of the light flashing, then dimming, then turning off

### MOUNTING



#### Mounting:

Attach VIS180 mount to seat post or rear of bike

Slide light into Mount bracket until light clicks in mount

Press button on pivot lock to adjust angle of light

#### Dismounting:

Gently squeeze VIS180 against mounting bracket and slide up



2 year warranty when purchased from an authorized dealer.